
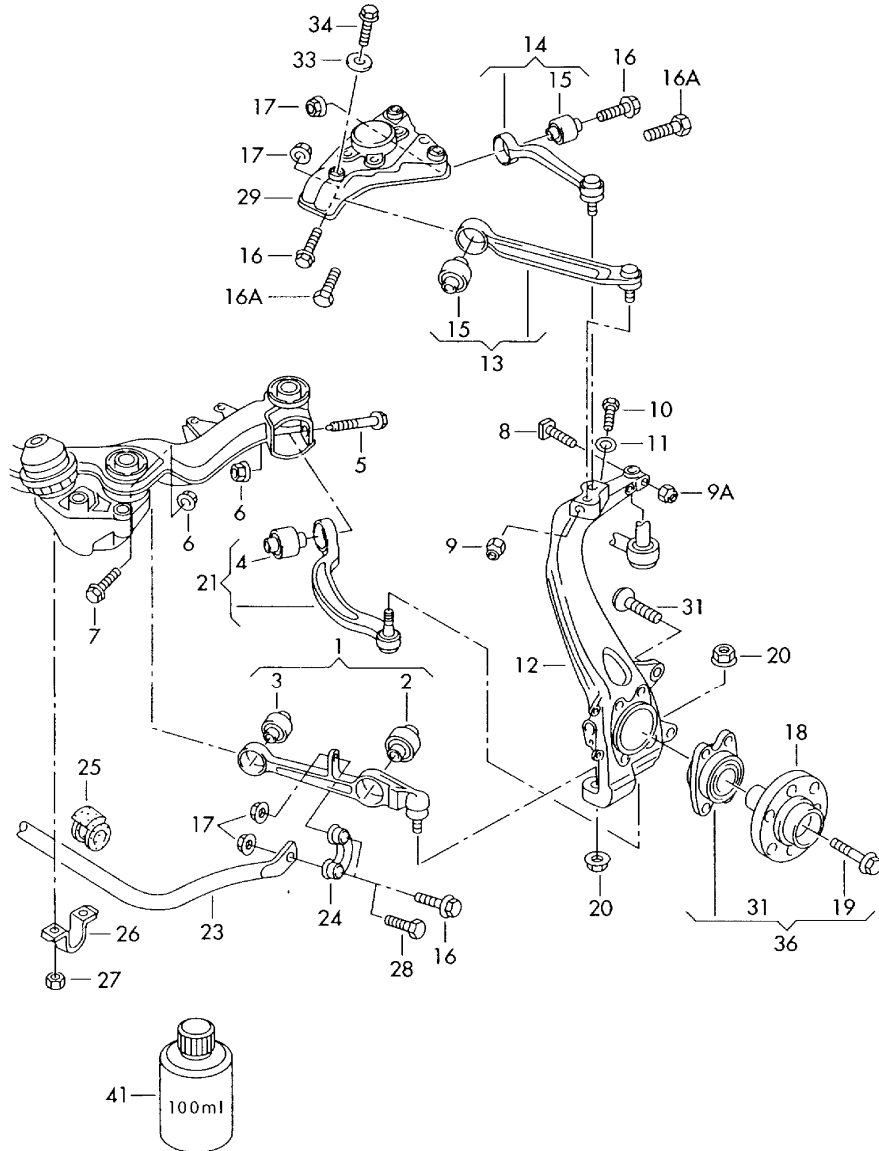
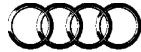


Model	Year	MG	SG	Illustration	Restrictions	UPD	13:59	01.08.2014	 Audi	ETKA
A4Q	2007	4	07	407-05		949				



Pos	Part Number	Description	Remark	Qty	Model
		front wishbone link wheel bearing housing anti-roll bar			quattro+ 4-,6-cyl.
1	8E0 407 151 R	front wishbone link		2	
2	8E0 407 181 C	bonded rubber bush		2	
3	4D0 407 182 G	bonded rubber bush		2	
4	4F0 407 183 C	bonded rubber bush to use for:	8E0 407 693 N 8E0 407 694 N 8E0 407 693 AA 8E0 407 694 AA 8E0 407 693 T 8E0 407 694 T	2	
(4)	4F0 407 183 E	bonded rubber bush to use for:	8E0 407 693 AK 8E0 407 694 AK 8E0 407 693 AC 8E0 407 694 AC	2	
(4)	4D0 407 183 AC	bonded rubber bush to use for:	8E0 407 693 AJ 8E0 407 694 AJ	2	
5	N 906 259 02	bolt, hex. hd. with pin (combi)	M12X1,5X120X80	2	
6	N 101 064 02	hexagon collar nut self-locking	M12X1,5	4	
7	N 102 949 01	hexagon head bolt (combi)	M12X1,5X100-	2	
8	WHT 001 453	lock screw	M10X50	2	
9	N 102 723 02	hexagon collar nut self-locking	M10	2	
9A	N 908 923 02	hexagon nut, self-locking	M10	2	
10	N 105 768 02	hexagon bolt	M10X105X26	2	
11	N 104 061 05	washer	20X10,5X2	2	
12	8E0 407 253 E	wheel bearing housing alum-silver	left	1	

Model	Year	MG	SG	Illustration	Restrictions	UPD	13:59	01.08.2014	 Audi	ETKA
A4Q	2007	4	07	407-05		949				

Pos	Part Number	Description	Remark	Qty	Model	Pos	Part Number	Description	Remark	Qty	Model
(12)	8E0 407 254 E	wheel bearing housing alum-silver marked with:	right	1		27	N 901 838 02	hexagon collar nut self-locking	M8	4	
			8E0 407 242 G 8E0 407 242 J 8E0 407 258 F 8E0 407 242 D 8E0 407 242 B			28	N 906 282 05	bolt, hex. hd. with shoulder and shaft	M10X50	4	
		*no 'fi' function possible				29	8E0 412 391 C	bracket		2	
13	8E0 407 505 P	guide	left front upper	1		31	WHT 000 237 A	ball screw	M12X1,5X45	8	
(13)	8E0 407 506 P	guide	right front upper	1		33	8D0 412 145 B	washer F >> 8E-7-015 000*	5X16,2X40	4	
14	8E0 407 509 P	guide	left rear upper	1		(33)	WHT 001 485	washer F 8E-7-015 001>>*	5X16,2X40	4	
(14)	8E0 407 510 P	guide	right rear upper	1		34	N 102 006 02	hex collared bolt F >> 8E-7-015 000*	M10X30	6	
15	8D0 407 515 C	bonded rubber bush		4		(34)	N 909 932 02	hexagon bolt F 8E-7-015 001>>*	M10X30	6	
16A	N 104 253 02	hex collared bolt	M10X62X45	4		(36)	8E0 498 625 B	wheel bearing with assembly parts	82MM	2	
17	N 102 861 10	hexagon collar nut self-locking	M10	4							
18	4B0 407 613 B	wheel hub		2							
19	4B0 407 643 A	shouldered bolt	M16X1,5X72	2							
20	N 908 484 04	hex. nut, self-locking with washer	M12X1,5	4							
21	8E0 407 693 AL	suspension guide if necessary use in pairs	left front	1							
(21)	8E0 407 694 AL	suspension guide if necessary use in pairs	right front	1							
23	8E0 411 309 P	anti-roll bar		1	PR-1BA,1BR						
(23)	8E0 411 309 N	anti-roll bar		1	PR-1BE,1BV						
24	8E0 411 317	coupling rod marked with:	left white	1							
(24)	8E0 411 318	coupling rod marked with:	right green	1							
25	4D0 411 327 J	rubber bush	29MM	2							
26	4D0 411 336 G	clamp		2							