
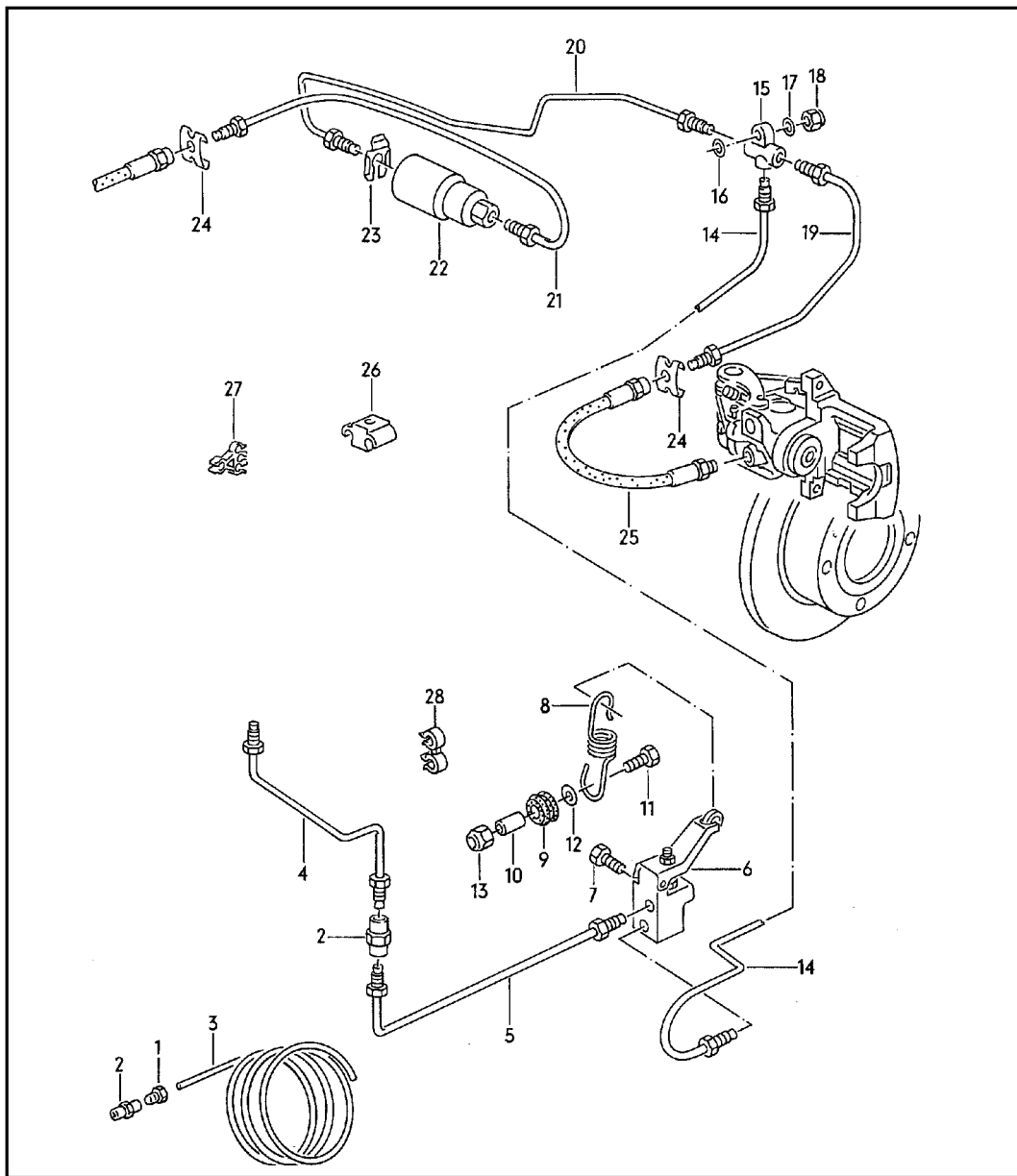



Model	Year	MG	SG	Illustration	Restrictions	UPD	13:55	17.03.2009		ETKA
A10Q	1991	6	11	611-30	4A-M-000 001 >>	742				



Pos	Part Number	Description	Remark	Qty	Model
		brake line brake hose	rear		
1	1J0 611 731	pipe union nut	M10X1/5,3 SW11	X	
2	411 611 789	connecting piece	M10X1	X	
3	b 111 611 998	brake line in rolls of 5m 'order unit 5'	4,75X0,7	*	
4	b 191 611 994 J	brake line, flanged free length:	800MM	lhd	1
(4)	b 191 611 994 H	brake line, flanged free length:	750MM	rhd	1
-	b 111 611 998	brake line in rolls of 5m 'order unit 5'	4,75X0,7	*	
5		shorten to:	2620MM		1
(6)	b 443 614 151 J	brake force regulator			1
(6)	b 4A0 614 151	brake force regulator for models with suspension levelling system			1 AAR,AAH,ABC
(6)	b 447 614 151	brake force regulator for models with suspension levelling system			1 AAN
7	+ N 010 238 20	hexagonal head bolt	M8X15		2
8	443 614 319 F	tension spring			1 AAD, AAR, AAH, ABC
(8)	443 614 319 K	tension spring			1 AAN
9	4A0 612 361	bearing	also use:	4A0 612 365	1
-	4A0 612 365	bearing pin			1
10	893 612 363	spacer sleeve			1
11	+ N 010 242 22	hexagonal head bolt	M8X25		1
12	+ N 011 670 16	washer	8,4X24X2		1
13	+ N 011 008 8	hexagonal nut	M8		1
14	b 191 611 994 K	brake line, flanged free length:	850MM		1
15	803 611 755	distributor for brake line			1

Model	Year	MG	SG	Illustration	Restrictions	UPD	13:55	17.03.2009		ETKA
A10Q	1991	6	11	611-30	4A-M-000 001 >>	742				

Pos	Part Number	Description	Remark	Qty	Model	Pos	Part Number	Description	Remark	Qty	Model
16	N 015 404 1	washer	6,4	1							
17	+ N 011 524 23	washer	6,4X12,5X1,6	1							
18	+ N 011 183 12	hexagon nut, self-locking	M6	1							
-	b 111 611 998	brake line in rolls of 5m 'order unit 5'	4,75X0,7	*							
19		shorten to:	230MM	1							
20	b 191 611 994 F	brake line, flanged free length:	650MM	1							
21	b 191 611 996 B	brake line, flanged free length:	1300MM	1							
22	b 443 614 151 K	brake pressure regulator		1							
23	443 611 715	retaining spring		1							
24	4D0 611 715 B	retaining spring		2							
25	b 8D0 611 775 D	brake hose F >> 4A-M-150 000*	M10X1X215	2							
(25)	b 4A0 611 775	brake hose F 4A-N-000 001>>*	M10X1,0X205	2							
26	811 611 797	holder	2 point	X							
(26)	893 611 797	holder	3 point	1							
(26)	811 611 797 E	holder		1							
-	321 611 853	holder		1							